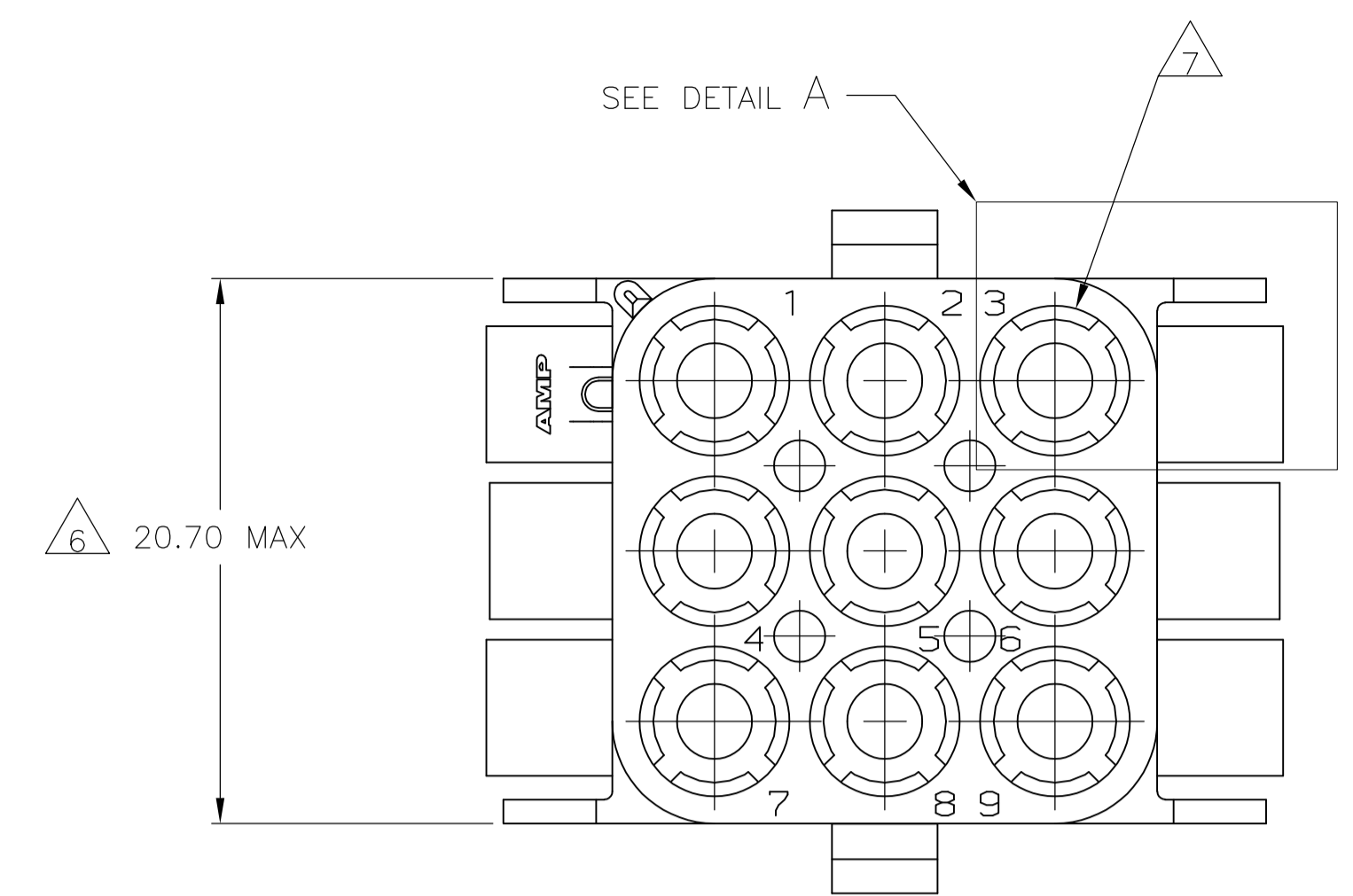
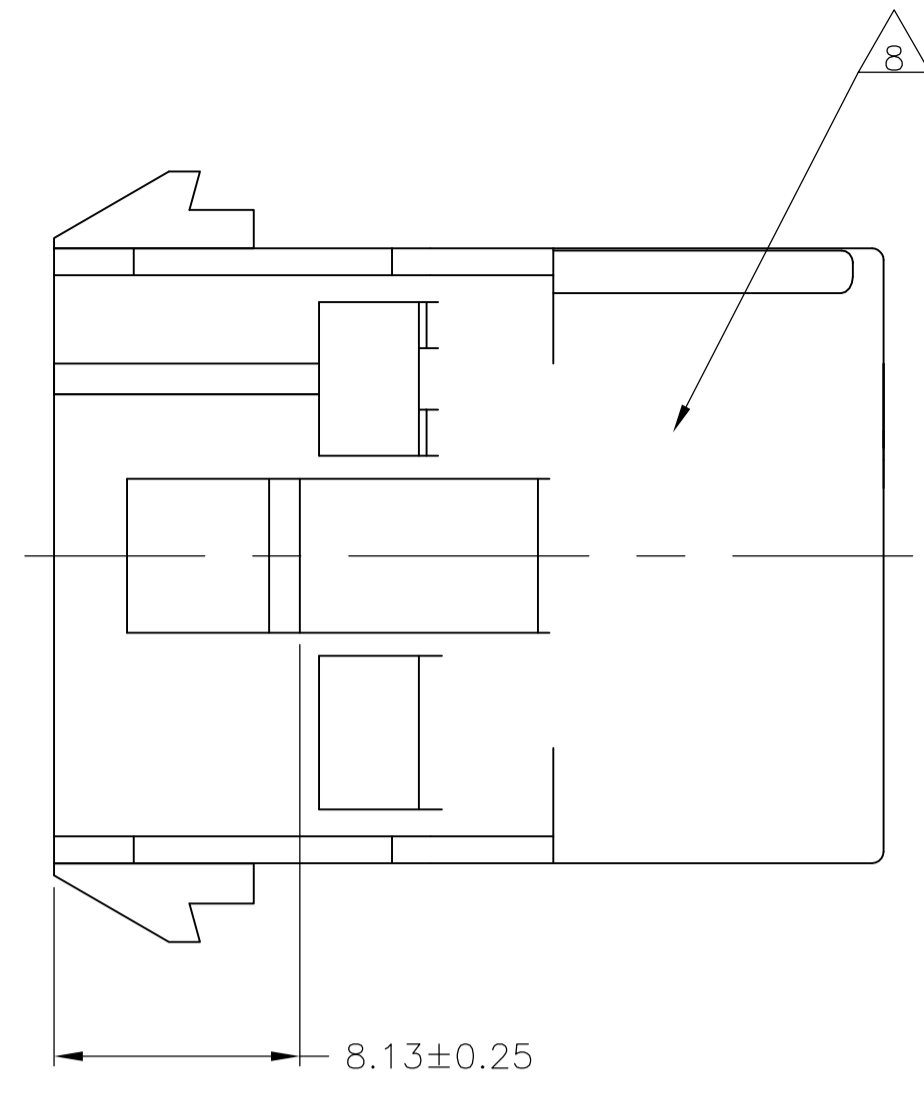
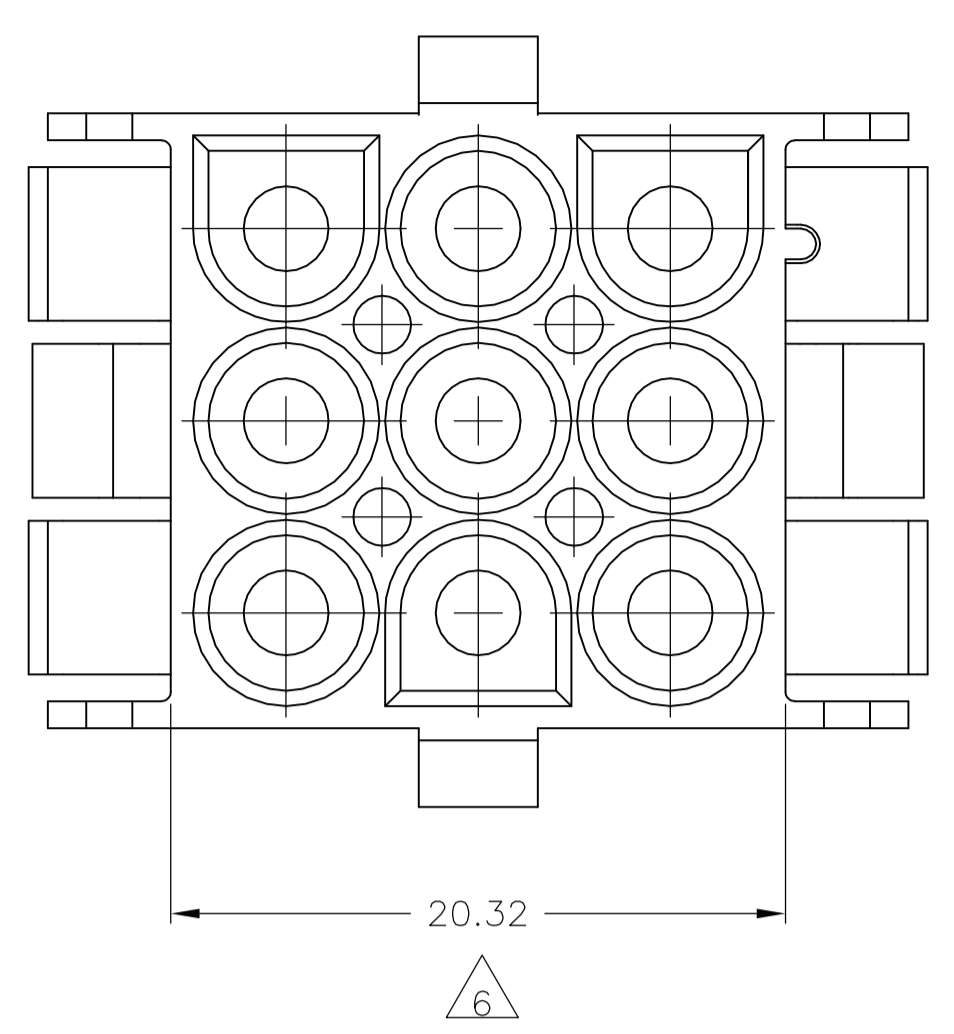
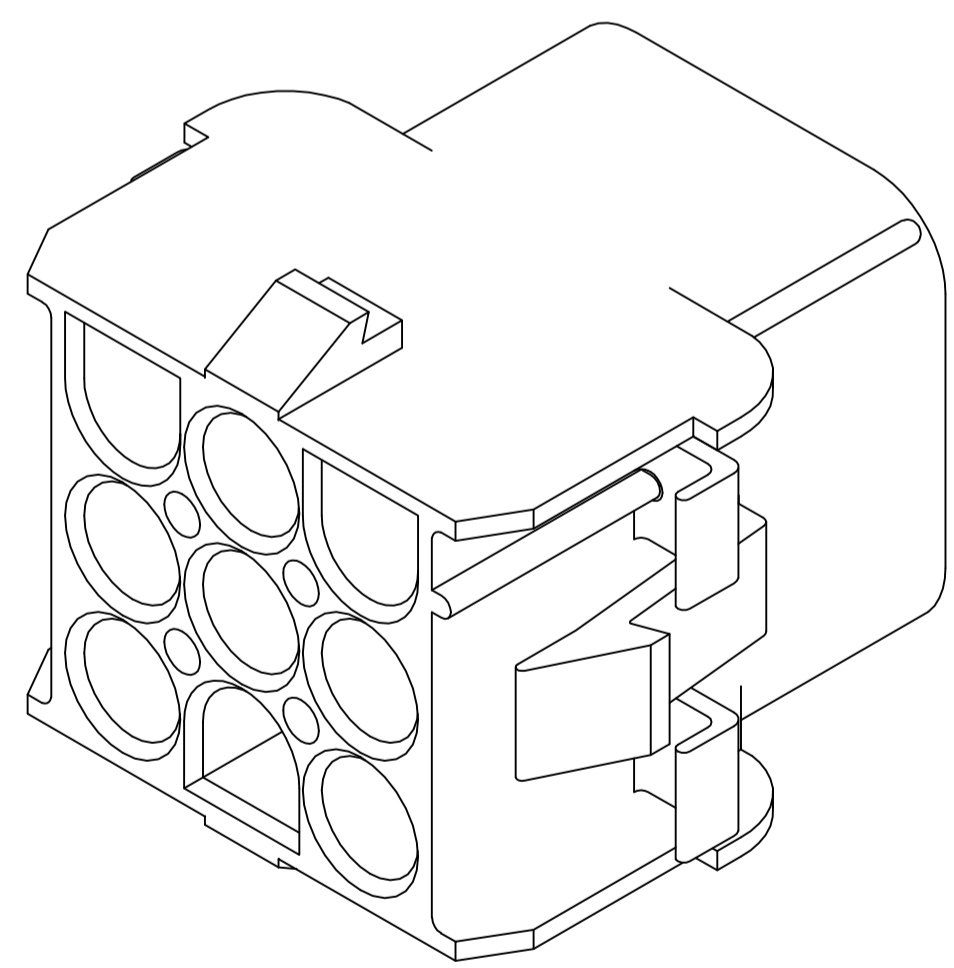
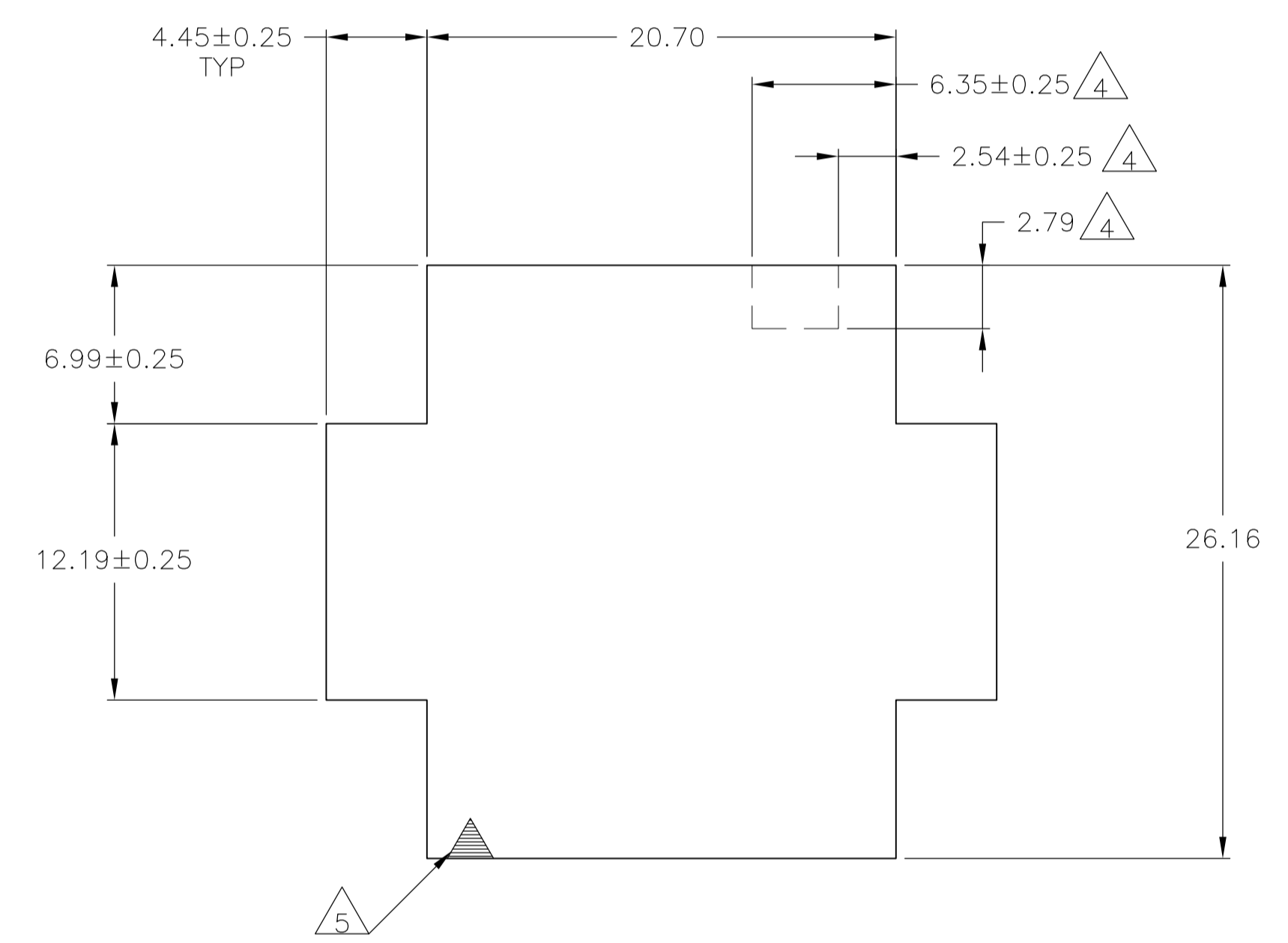
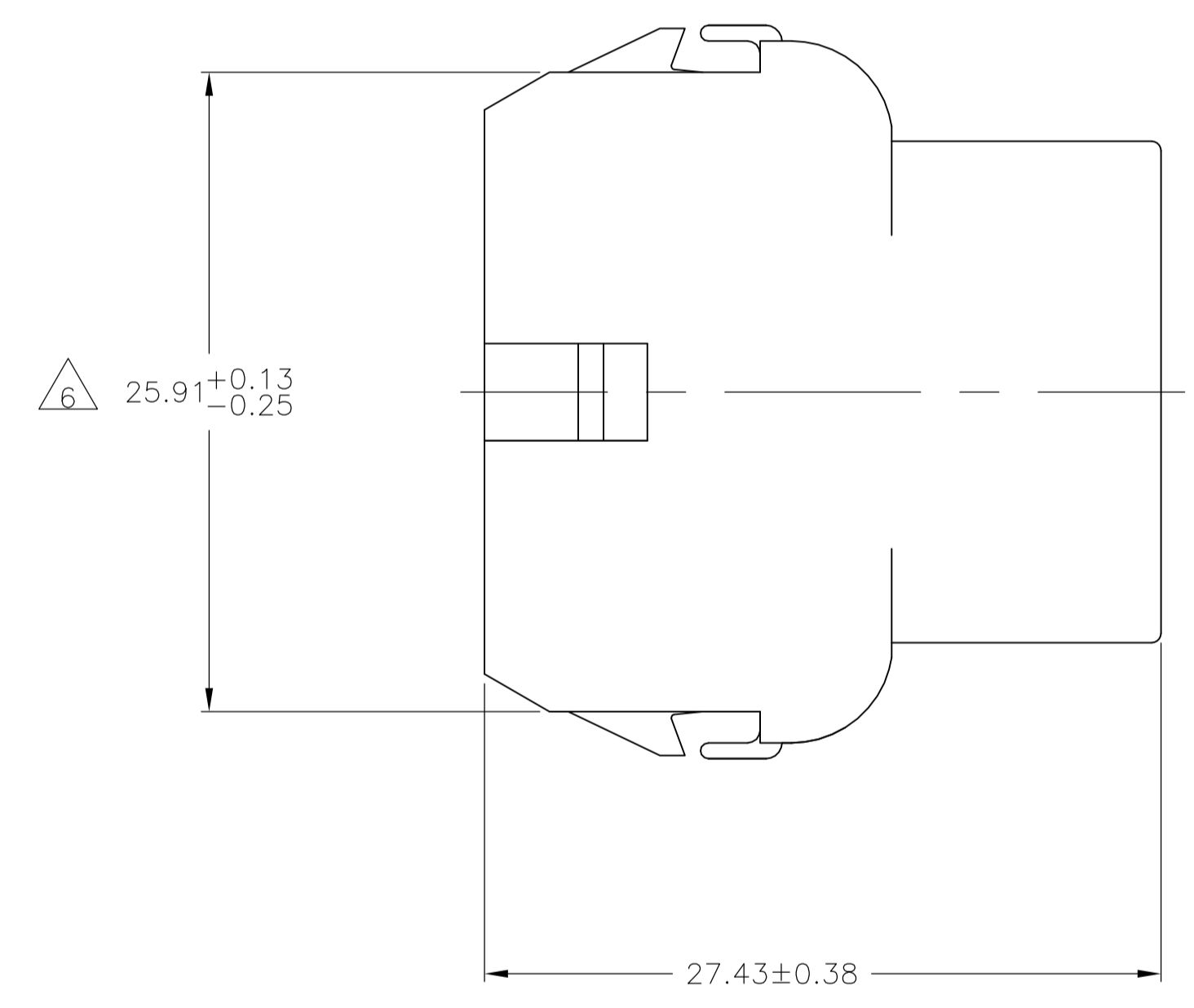
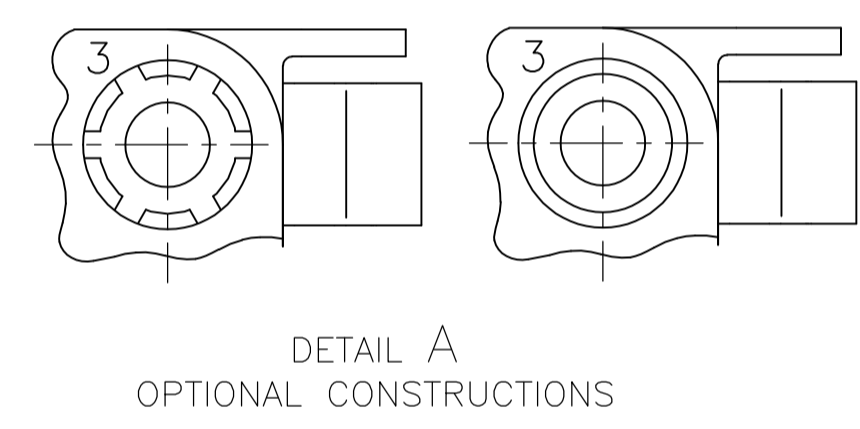


LOC	DIST	REVISIONS				
CM	00	REV	DESCRIPTION	DATE	BY	APPV
		AK2	REVISED PER ECO-11-004587	11MAR11	RK	HMR
		AL	REVISED PER ECR-14-016405	07APR2015	AV	DZ



- MATES WITH APPROPRIATE UNIVERSAL MATE-N-LOK™ PLUG.
- RECOMMENDED PANEL THICKNESS 0.76 - 2.29.
- PANEL MUST BE PUNCHED SO THAT THE HOUSING ENTERS THE PANEL IN THE SAME DIRECTION AS THE PUNCH.
- OPTIONAL FOR KEYING HOUSING IN PANEL.
- CIRCUIT NUMBER 1 LOCATION.
- DIMENSION REPRESENTS POTENTIAL MAXIMUM GROWTH DUE TO MOISTURE ABSORPTION.
- FOUR RIBS EQUALLY SPACED, NO SPECIFIC ORIENTATION. NO RIBS OR SIX RIBS EQUALLY SPACED, NO SPECIFIC ORIENTATION, OPTIONAL.
- UNDERWRITERS RECOGNIZED COMPONENT LOGO AND CSA CERTIFICATION LOGO TO BE LOCATED ONCE EACH ON SIDE OF HOUSING.
- OBSOLETE PARTS: OBSOLETE CIS STREAMLINING PER D.RENAUD/D.SINISI



3-DIMENSIONAL MODEL NTS

MM	IN	MM	IN
6.35	.250	-	-
4.45	.175	27.43	1.080
2.79	.110	26.43	1.041
2.54	.100	25.91	1.020
2.29	.090	20.70	.815
0.76	.030	20.32	.800
0.38	.015	12.19	.480
0.25	.010	8.13	.320
0.13	.005	6.99	.275
MM	IN	MM	IN

CONVERSION TABLE

9 OBSOLETE	COLOR	PART NO
9 OBSOLETE	BLACK	1-480707-9
9 OBSOLETE	GRAY	1-480707-8
9 SUPERSEDED BY 1-480707-0	BLUE	1-480707-6
9 OBSOLETE	GREEN	1-480707-5
9 OBSOLETE	YELLOW	1-480707-4
9 OBSOLETE	ORANGE	1-480707-3
9 OBSOLETE	RED	1-480707-2
9 OBSOLETE	BROWN	1-480707-1
9 OBSOLETE	NATURAL	1-480707-0
9 OBSOLETE	COLOR	PART NO

METRIC

THIS DRAWING IS A CONTROLLED DOCUMENT.

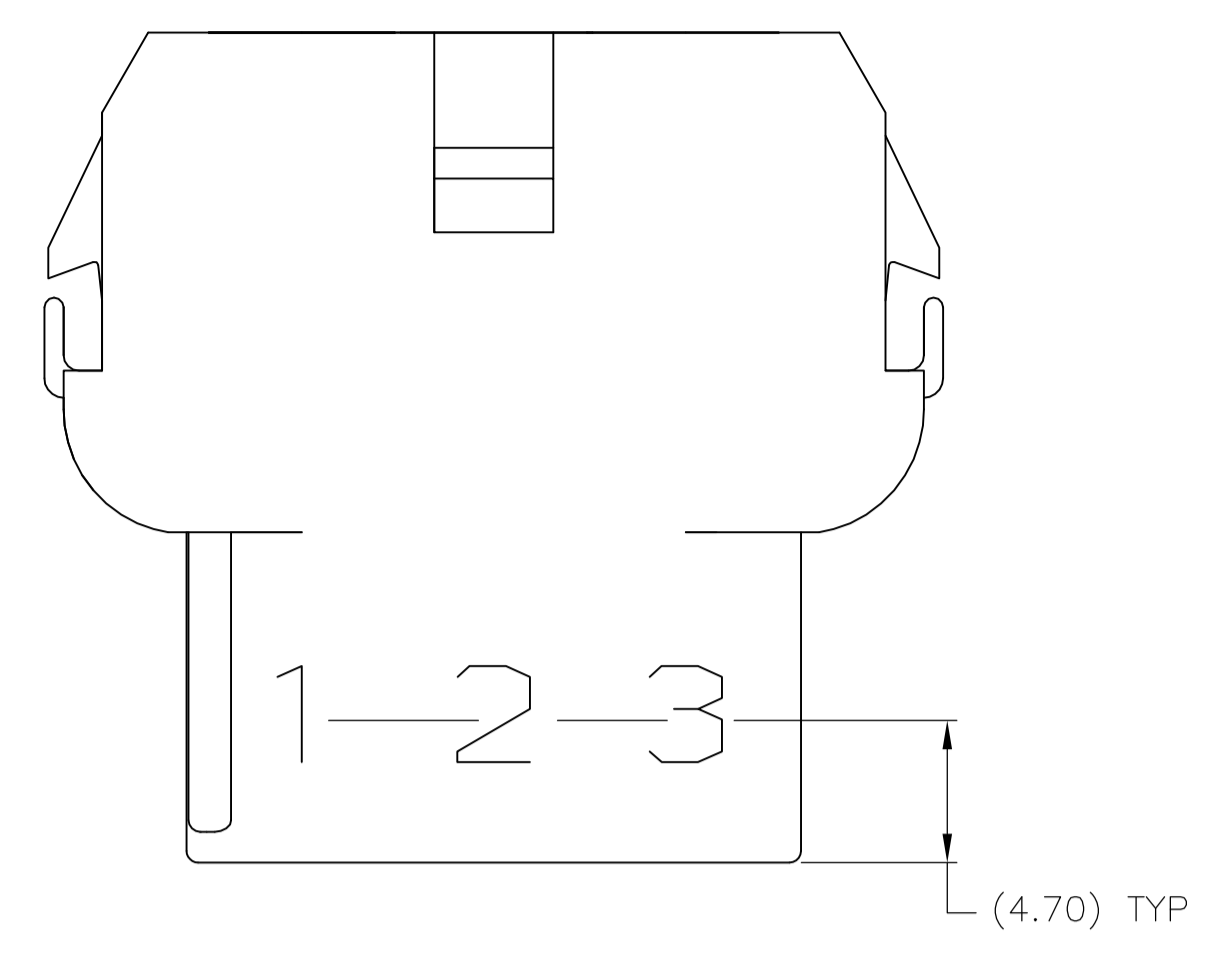
DIMENSIONS: mm	TOLERANCES UNLESS OTHERWISE SPECIFIED:	DIN K. WHITAKER 29JUL04	NAME
0. PLC ± -	1. PLC ± -	CHK S. RIDGILL 29JUL04	APVD S. RIDGILL 29JUL04
2. PLC ± 0.13	3. PLC ± -	PRODUCT SPEC	APPLICATION SPEC
4. PLC ± -	ANGLES ± 0.30°	FINISH	SCALE
MATERIAL NYLON, UL94V-2	FINISH	WEIGHT	SIZE
			CAGE CODE
			DRAWING NO
			RESTRICTED TO
			CUSTOMER DRAWING

STE TE Connectivity

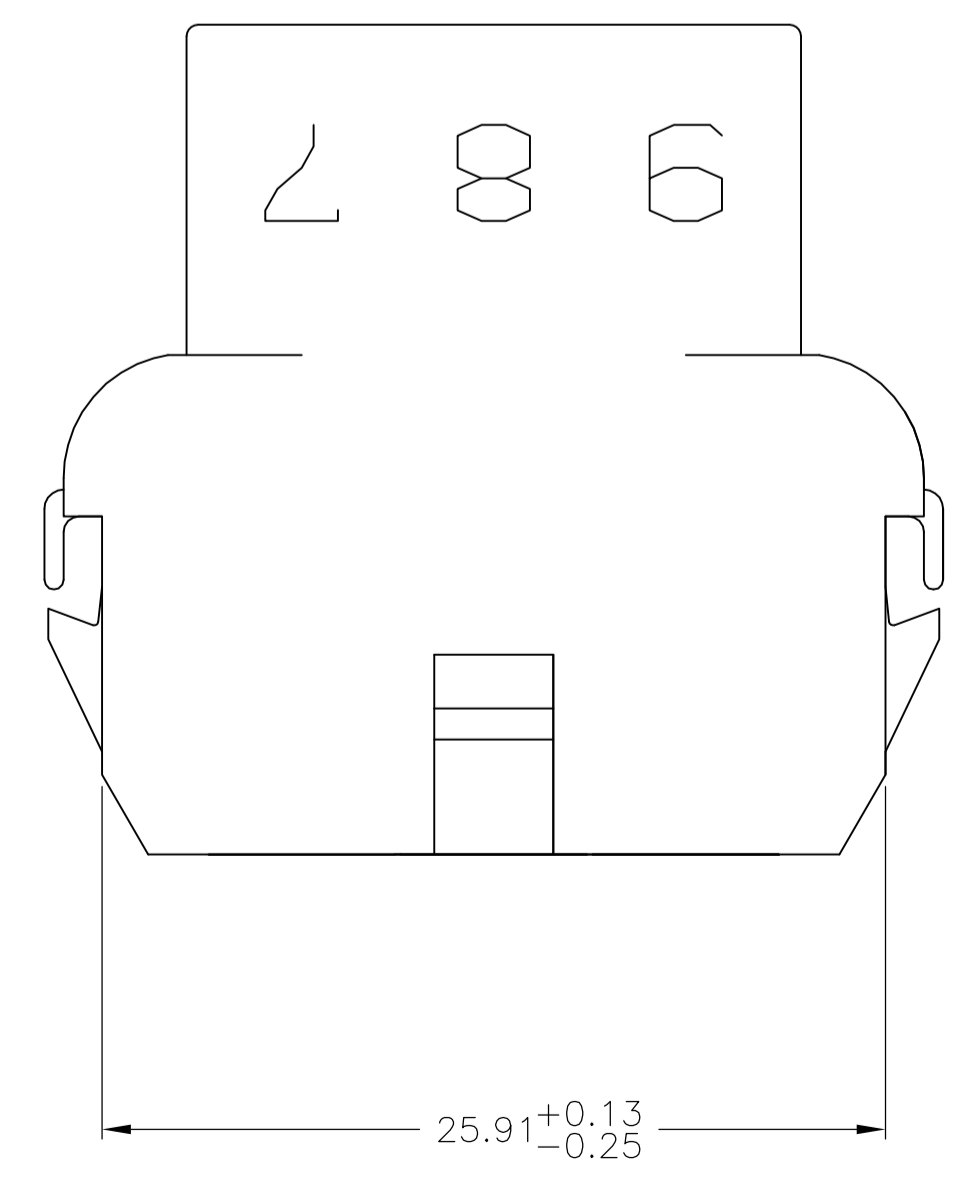
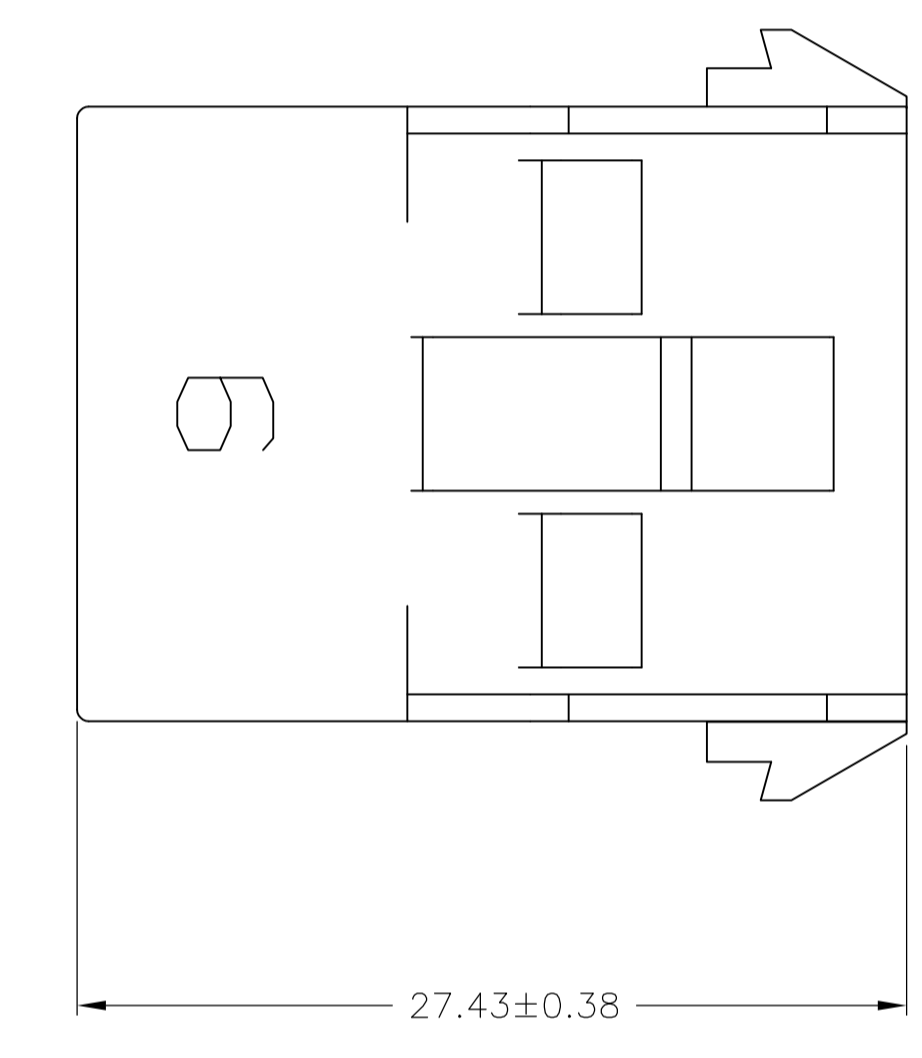
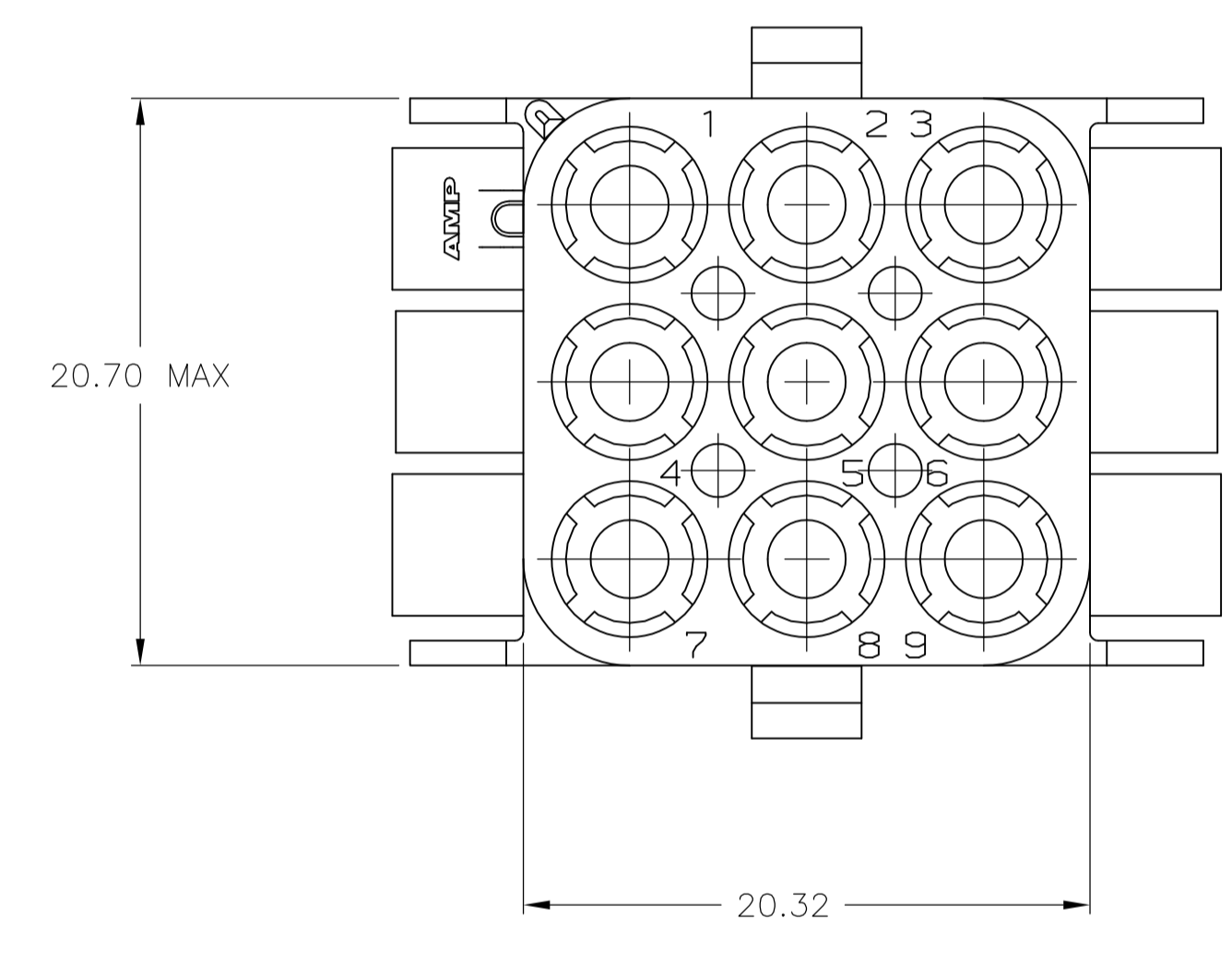
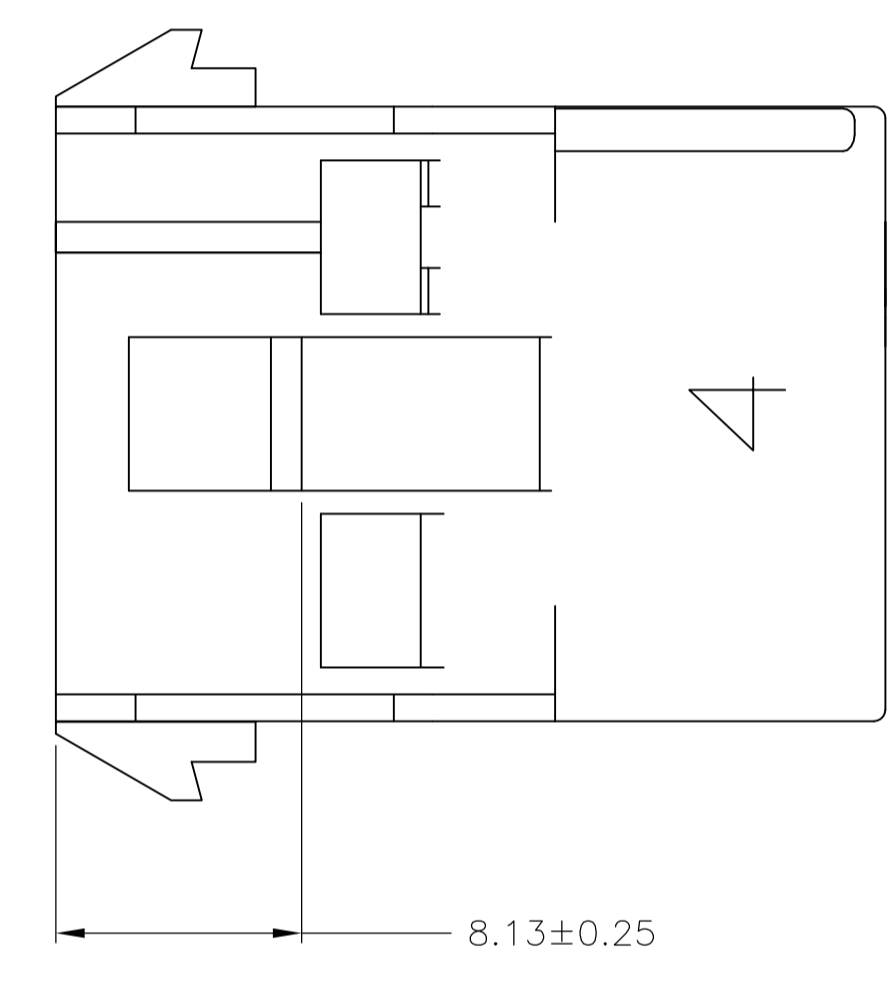
CAP, 9 CIRCUIT, UNIVERSAL MATE-N-LOK(TM)

SIZE: A1 00779 480707

SCALE: 4:1 SHEET 1 OF 2 REV AL

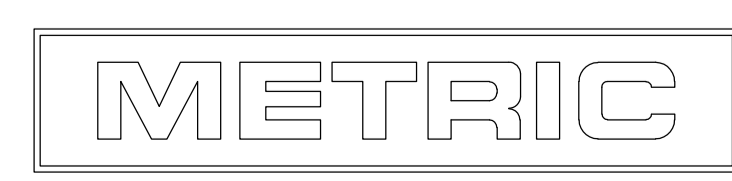


1. STAMP NUMBERS 3.18 HIGH AT WIRE END OF HOUSING (12 POINT DAVID TYPE); CLARIFICATION MARKS UNDER THE 6 & 9.
2. CHARACTERS TO BE STAMPED ON HOUSING IN A MANNER AS TO BE READ FROM WIRE END ONLY.
3. VIOLET, BLACK, BROWN, AND BLUE COLORED BLOCKS TO BE STAMPED WITH WHITE CHARACTERS. ALL OTHER COLORED BLOCKS TO BE STAMPED WITH BLACK CHARACTERS.



5.08	.200	-	-
4.70	.185	27.43	1.080
3.18	.125	25.91	1.020
0.38	.015	20.70	.815
0.25	.010	20.32	.800
0.13	.005	8.13	.320
MM	IN	MM	IN

CONVERSION TABLE



THIS DRAWING IS A CONTROLLED DOCUMENT.

DIMENSIONS:	TOLERANCES UNLESS OTHERWISE SPECIFIED:	DWG	29JUL04
mm	0.13	CHK	29JUL04
	0.25	APPV	29JUL04
	0.38	NAME	
	0.51	CAP.	
	0.64	9 CIRCUIT,	
	0.76	UNIVERSAL MATE-N-LOK(TM)	
	0.89	SIZE	CAGE CODE
	1.02	A1	00779
	1.14	DRAWING NO	C=480707
	1.27	RESTRICTED TO	-
	1.50	WEIGHT	-
	1.63	CUSTOMER DRAWING	SCALE 4:1
	1.75		SHEET 2 OF 2
	1.88		REV AL